

SCANIA

SPECIFICATION

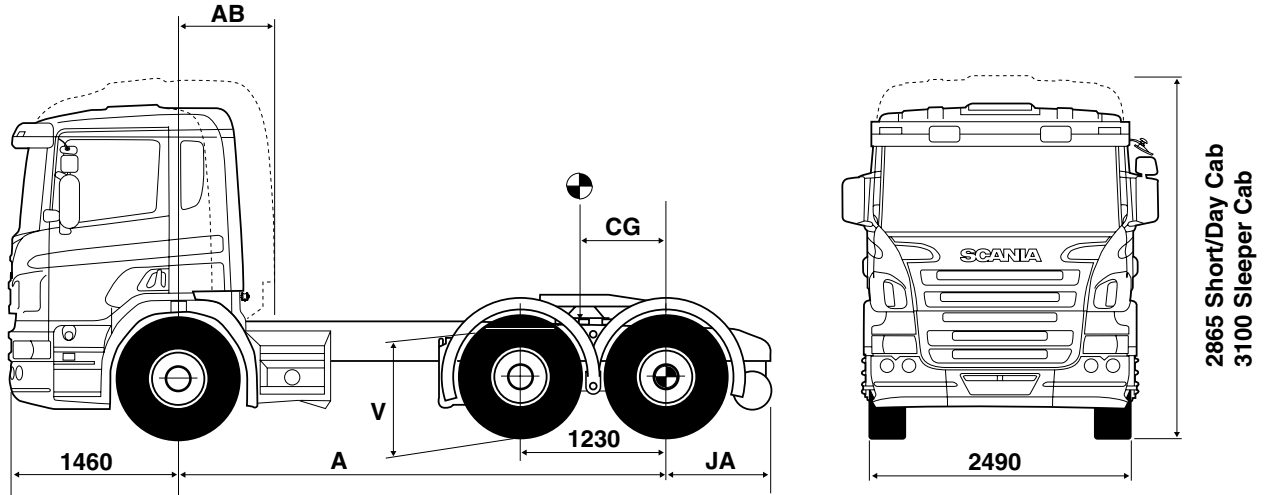
P-series

P 340 LA6x2/4MNA

46000Kg GTW

TWIN STEER TRACTOR

P



AB (centreline of front axle to back of cab) Short — 255 Day — 535 Sleeper — 805

DIMENSIONS (mm)

A		3975
TWB		3515
JA		780
Day Cab	CG	978
Sleeper Cab	CG	954

Fifth Wheel position to suit 16.5m overall length

935 forward of drive axle centre line
 Max. imposed load = 15050 kg – Day Cab
 Max. imposed load = 15065 kg – Sleeper Cab

V unladen = 1000mm V laden = 970mm TWB = theoretical wheelbase

CG dimension for imposed load calculated for standard model at standard GB plated weights. This dimension can be varied to suit specific trailer swing clearances but may result in a reduction in imposed load. V dimension measured to top of frame at rear bogie centreline

PLATED WEIGHTS – AWR

		Front Axle	Second Steer	Rear Axle	GVW	GTW
Design Gross	Kg	7500†	6100	10200	23800	46000
Legal Max in GB	Kg	7100¶	6000	10000	23100	44000

† Front axle capacity up to a maximum of 8000 kg available as option.

¶ Legal front axle capacity limited by tyres.

Plated weights dependent on statutory tyre limitations.

CHASSIS/CAB WEIGHTS

(Tolerance +/- 2.5%)

Axle distance	Front	Bogie	Total (kg)
3975	4662	2864	7526

Chassis cab weight includes 20 litres of fuel, oil and water.

Driver not included. See overleaf for option weights.

P 340 LA6x2/4MNA

SL5450854
October 06

ENGINE (EURO 4)

Scania '12 litre' vertical six cylinder in-line turbocharged intercooled direct injection diesel with hydraulic unit injectors (H.P.I.).

'340'

Type:	DC12-10
Swept Volume:	11.7 litres
Bore:	127 mm
Stroke:	154 mm
Compression Ratio:	17:1
*Max. Power:	250kW (340 h.p.) at 1800 rev/min
*Max. Torque:	1700 Nm (1255 lbf.ft) between 1100 and 1350 rev/min
Engine Management System:	EMS incorporating cruise control and speed limiter
Emission Control:	Scania EGR
Cooling:	Water cooled with rubber mounted 2 row radiator and electronically regulated fan
Coolant Capacity:	55 litres
Oil Capacity:	33 litres
Air Cleaner:	Dry replaceable paper element

Options:-

(1) Details as above except for the following:-

'380'

Type:	DC12-13
*Max. Power:	280kW (380 h.p.) at 1800 rev/min
*Max. Torque:	1900 Nm (1402 lbf.ft) between 1100 & 1350 rev/min

(2) Provision for ED120 engine driven P.T.O.

*With fan at max. slip

CLUTCH

Type:	Single dry plate
Operation:	Air assisted with clutch wear protection

GEARBOX

Type:	Scania GR905 eight speed synchromesh (four speed main fitted with two speed planetary range unit), plus one crawler gear.
Oil Capacity:	15.6 litres

GEAR RATIOS

Crawler	16.41:1		
Low Range		High Range	
1st	10.34:1	5th	2.76:1
2nd	7.19:1	6th	1.92:1
3rd	5.08:1	7th	1.35:1
4th	3.75:1	8th	1.00:1
Reverse	14.78:1		

Options:-

(1) Type: Scania GRS905 - fourteen speed range change/splitter including two crawler gears.

(2) Type: Scania GRS895 as GRS905 but without crawler gears.

(3) Opticruise: Gearchange management system. Only with GRS895/905.

REAR AXLES

Type:	Second steer axle - Scania ARA820 Drive axle - Scania ADA 1100
Capacity:	Combined 19000 Kg
Drive axle has pressed steel housing with magnetic oil drain plug.	

REAR AXLE GEAR

Type:	Scania R780
Single reduction hypoid. Crown wheel and pinion matched during manufacture. Pneumatically operated differential lock.	

FRONT AXLE

Type:	Scania AM740 I section rigid beam - AMA740 if air suspension
Capacity:	7500Kg
Options:-	
(1) Scania AM950 - capacity 9000 kg.	
(2) Scania AMA860 - air only - capacity 8000 kg.	

STEERING

Type:	Recirculating ball. Hydraulically assisted power steering
Steering wheel:	Diameter 450mm. Lock to lock 4.9 turns
Turning circle:	Kerb to kerb 3.975m A/D 14.48m

SUSPENSION

Type Front:	Semi-elliptic parabolic springs with swinging shackles and threaded shackle pins. Anti-roll bar.
Type Rear:	Second steer axle - quarter elliptic with air bellows (A) (2 bag) which may be evacuated from the cab to increase drive axle traction. Pneumatic mid-axle hoist. Drive axle - quarter elliptic with air bellows. Chassis height may be raised or lowered to assist loading. Double acting telescopic shock absorbers are fitted to all axles.

SPRING SIZE

	Front
Length:	1820mm
No. of leaves	2 x 32mm
Design Capacity	7500Kg
Options:-	
(1) Air suspension on front axle - design capacity 7500 or 8000 kg.	
(2) 3 x 29mm leaves - design capacity 8500 kg.	

WHEELS & TYRES

8.25 x 22.5 ten stud spigot mounted disc wheels fitted with 295/80R22.5 radial tubeless tyres.

Options:-

- (1) 9.00 x 22.5 wheels with 315/80R22.5 tyres**
- (2) 11.75 x 22.5 wheels with 385/65R22.5 or 385/55R22.5 tyres - front axle only**
- (3) Aluminium wheels - Machined or Polished surface finish**
- (4) Wheel embellishers - steering axles**

FRAME

Type:	F950-50
Flat top constant depth 'U' channel with riveted crossmembers	
Sidemember Dimensions:	F950 - 270 x 90 x 9.5mm
Width over parallel section of frame = 770mm	
Bumper:	Aerodynamic incorporating FUP
Options:-	(1) Side skirts. (2) Steel bumper - increases front overhang to 1510mm. (3) Centre tow pin - steel bumper only

BRAKE SYSTEM

Type:	Ventilated disc brakes on all axles. Dual circuit, full air, EC brake system incorporating Category 1 ABS and Traction Control. Electronic signalling with pneumatic back-up. Pad wear indicator. Brake pipes manufactured from either rust protected steel or high impact synthetics
Service Circuit:	Actuates all tractor and trailer brakes
Secondary Circuit:	Actuates split service system plus trailer brakes
Parking Brake:	Actuates spring chambers on front and drive axles
Exhaust Brake:	Air actuated operated by brake pedal
Brake Antifreeze Protection:	Air dryer
Brake Wear Adjusters:	Automatic
Options:-	
(1) Scania Hydraulic Retarder.	
(2) ESP - Electronic stability programme.	

BRAKE DIMENSIONS

Pad lining area:	2 x 190cm ² on all axles
Swept area of each disc:	2 x 940cm ²

ELECTRICAL SYSTEM

Type: 24V neg (-ve) earth **Alternator:** 80A
Batteries: Twin 180 Ah
Rear H.I. lamps, Reversing lights, Side marker lamps.

Options:-

(1) 100A Alternator, **(2)** 140Ah batteries, **(3)** 225Ah batteries, **(4)** Battery connection – 200A, **(5)** Bodywork electrical preparation – see separate document.

FUEL TANKS

1 x 300 Litre RHS aluminium

Options:- (Minimum axle distance and suspension type in brackets)

	RH Side	LH Side		RH Side	LH Side
Steel - G 200	200	150	Aluminium - W	–	200
		200		300	300

Tank sizes can be supplied in LH + RH combinations of the above but steel and aluminium cannot be mixed. Sides viewed from rear.

GENERAL EQUIPMENT

Fixed 5th wheel - 285mm above frame
Lead-on ramps
Double Manwalk with step and coupling lamp
Rear Wings
Front tow pin

Options:-

- (1)** 5th wheel position in front of drive axle centre line – 635 to 1085mm in 50mm increments
(2) Sliding 5th wheel - 285mm above frame
(3) Vertical exhaust outlet – N/A with ADR to EXIII/EXIII or FL
(4) ADR to EXIII/EXIII, FL, OX or AT

INSTRUMENTS & CONTROLS

Two man, 1 day, EC digital tachograph, rev-counter, gauges for air pressure (2), coolant temperature and fuel. Six speed wipers with four jet integral screen wash. Halogen headlamps adjustable from cab for correction of beam height. Warning lights for all major systems grouped within easy vision.

Instrument panel of modular design with switches and controls grouped according to usage. All instruments are back-lit and non-reflective. Impact absorbing adjustable steering wheel with column lock.

CAB


CP16 Day Cab

Please see separate specification – 'Scania Cabs' for equipment levels.

Options:-

- (1)** CP19 Sleeper Cab
(2) CP14

P.T.O. OPTIONS Check gearbox availability

		G670	GR875/GRS895	GR905/GRS905	GRS0905
EG551CC/561:	6	0.54			
EG650CC/660:	5			1.00/1.24H	
EG651CC/661:	5			1.28/1.58H	
EG652CC/662:	5				0.82/1.03H
EG653CC/663:	5				1.03/1.29H
EG654CC/664:	5	1.00/1.24H			
EG655CC/665:	5	1.28/1.58H			
EK730CC/740:	12	1.00	1.00		1.00

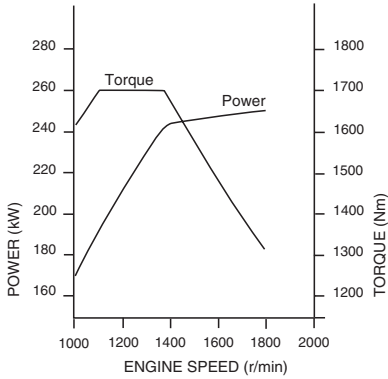
CC = close coupled H = High on 'S' splitter gearboxes only
Shaft output N/A on 6 x 2/4 chassis

WEIGHTS FOR OPTIONAL EQUIPMENT IN KILOGRAMS (Front – Rear – Total)

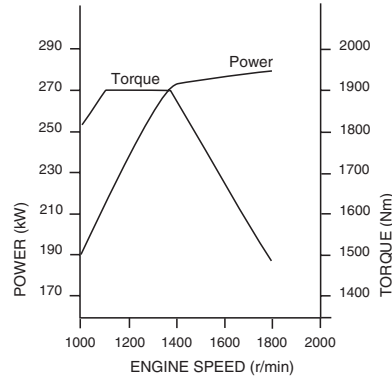
Axle Distance	3975
GRS905	+6 +3 +9
AM950 front axle	+13 0 +13
Air suspension front	+40 +15 +55
3 x 29mm front springs	+44 0 +44
385/55 Tyres/11.75 rims	+46 N/A +46
385/65 Tyres/11.75 rims	+54 N/A +54
315/80 Tyres/9.00 rims	+18 +54 +72
Aluminium Wheels	
8.25x22.5	-24 -72 -96
9.00x22.5	-30 -90 -120
11.75x22.5	-44 N/A -44
Side skirts	+20 +19 +39
FUP steel bumper	+67 -13 +54
Centre tow pin	+29 -5 +24
Retarder	+96 +17 +113
140Ah Batteries	-13 -4 -17
225Ah Batteries	+31 +8 +39
Std. Tank Full	+116 +118 +234
2 x 300l W	+143 +133 +276
Sliding 5th wheel	+8 +52 +60
Vertical exhaust outlet	+44 +13 +57
CP14 Cab	-35 +2 -33
CP19 Sleeper Cab	+119 -13 +106
Air deflectors – CP14	+40 +2 +42
– CP16	+39 +3 +42
– CP19	+39 +3 +42
EG Series PTOs	+15 +3 +18
EK Series PTOs	+42 +5 +47

ENGINE PERFORMANCE

'340' DC12-10

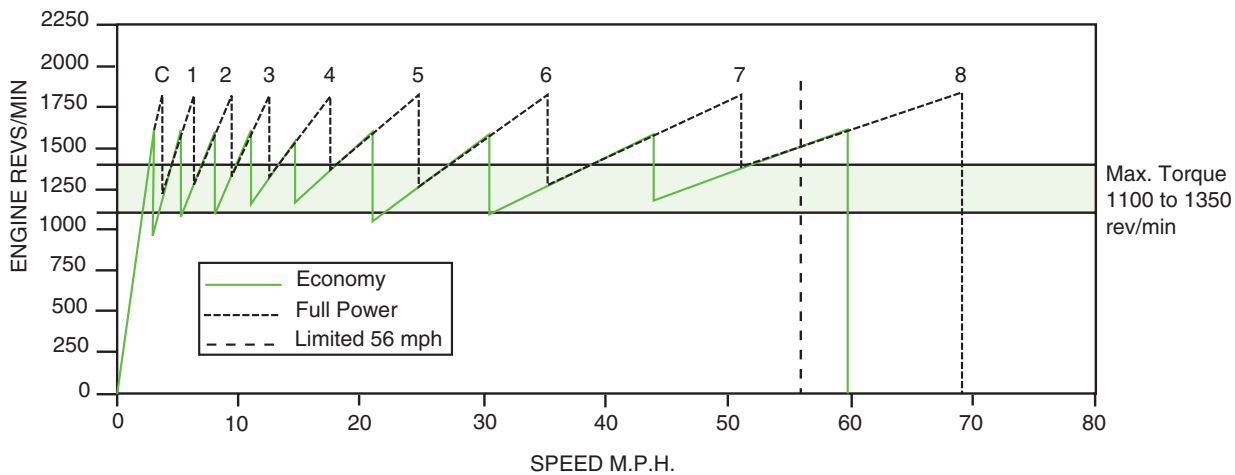


'380' DC12-13



Net engine performance to 80/1269*1999/99EC

GEAR STEP DIAGRAM



SPEED/GRADEABILITY

Gradeability may be limited by tyre adhesion.

Axle gear/ Ratio	Optimum Cruising Speed M.P.H.	Gradeability - steady climb - in percent			
		DC12-10		DC12-13	
		44T	46T	44T	46T
R 780 2.71*	56	>35	34.8	>35	>35
R 780 2.92*	52 - 56	>35	>35	>35	>35
R 780 3.08 Std	56	>35	34.9	>35	>35
R 780 3.27	52 - 56	>35	>35	>35	>35
R 780 3.40	50 - 53	>35	>35	>35	>35
R 780 3.80	45 - 48	>35	>35	>35	>35

*2.71 and 2.92 ratio only available with low profile tyres. Calculations based on 295/60R22.5 rear tyres. Remaining calculations assume standard specifications. Performance achieved in operation will depend on conditions, bodywork, gear ratios and tyre specification.

The specifications contained in this publication are intended as a general guide, and not as representations as to the product described, nor as binding in detail.